

## Eco/2 "Domestic Line"



- **2-stage** burners.
- Suitable for medium pressurisation and pressurised burners.
- Low emissions.
- Combustion head and air control.
- Electrical servo-control on the air shutter.
- Stabilised ventilation.
- Excellent combustion thanks to the uniform distribution of air.
- Soundproof bonnet.
- Compact size.

### Installation and maintenance

- Easy installation and maintenance thanks to the universal perforation sliding flange.

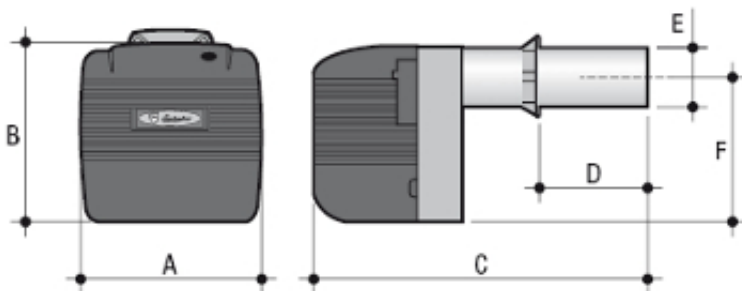
### Accessories supplied

- Line filter.
- 2 flexible hoses.
- 2 nozzles with the exception of mod. ECO 7/2 - ECO 15/2 - ECO 20/2.
- Nozzle spanner.
- Boiler insulating seal.

### Certification

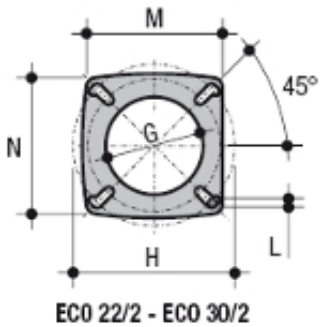
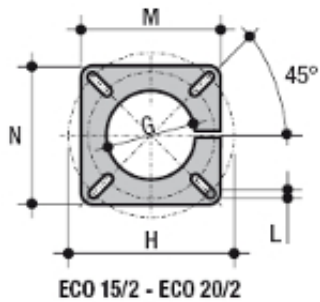
- Eco/2 burners are certified EC.

### Dimensions (mm):



Model	A (mm)	B (mm)	C (mm)	D (mm)	E (Ø mm)	F (mm)
ECO 15/2	275	340	685	80 ÷ 285	114	274
ECO 20/2	275	340	700	60 ÷ 300	114	274
ECO 22/2	360	350	576	60 ÷ 300	120	275
ECO 30/2	420	423	770	70 ÷ 320	135	350
ECO 40/2	420	423	790	70 ÷ 320	148	350

### Mounting flange and Weight:



Model	G (Ø mm)	H (Ø mm)	L (mm)	M (mm)	N (mm)	Weight (kg)
ECO 15/2	120	155 ÷ 210	M8	180	180	18
ECO 20/2	120	155 ÷ 210	M8	180	180	19
ECO 22/2	135	160 ÷ 225	M10	214	205	24
ECO 30/2	145	172 ÷ 225	M10	214	205	35
ECO 40/2	160	172 ÷ 225	M10	214	205	35

### Technical data:

Model	Flow (kg/h)	Power (kW)	Motor (230V ~ 50Hz)
ECO 15/2	7 ÷ 14,8	83 ÷ 175,5	185 W mon.
ECO 20/2	10 ÷ 20	118,6 ÷ 237,2	185 W mon.
ECO 22/2	10 ÷ 23	118,6 ÷ 272,8	250 W mon.
ECO 30/2	12 ÷ 30	142,3 ÷ 356	370 W mon.
ECO 40/2	22,5 ÷ 40	266,9 ÷ 474	370 W mon.



## Products

- [Eco 7/2 \(cod. 00840380\)](#)
- [ECO 22/2 \(cod. 00840654\)](#)
- [ECO 30/2 \(cod. 00870161\)](#)
- [ECO 40/2 \(cod. 00870171\)](#)
- [Eco 50/2 \(cod. 00870182\)](#)
- [Eco 70/2 \(cod. 00870192\)](#)
- [ECO 15/2 \(cod. 00841293\)](#)
- [ECO 20/2 \(cod. 00840743\)](#)