

Em/2-E "Domestic Line"



- **Two-stage** burners.
- Suitable for pressurised boilers.
- For methane gas or LPG operation (for mod. Em16/2-E - Em 26/2-E - a conversion kit is necessary).
- Gas ramp with stabiliser, dual valve and filter.
- Low emissions.
- External combustion head control.
- Electrical servo-control on the air shutter.
- Stabilised ventilation.
- Excellent combustion thanks to the uniform distribution of air.
- Soundproof bonnet.
- Compact size.
- Can be combined with various types of gas ramps for ultimate versatility.
- Supplied in 2 boxes (Burner + Gas ramp).

Installation and maintenance

- Fitted with full inspection hinge (mod. Em 26/2-E - Em 40/2-E).
- Easy installation thanks to the universal perforation mobile flange.

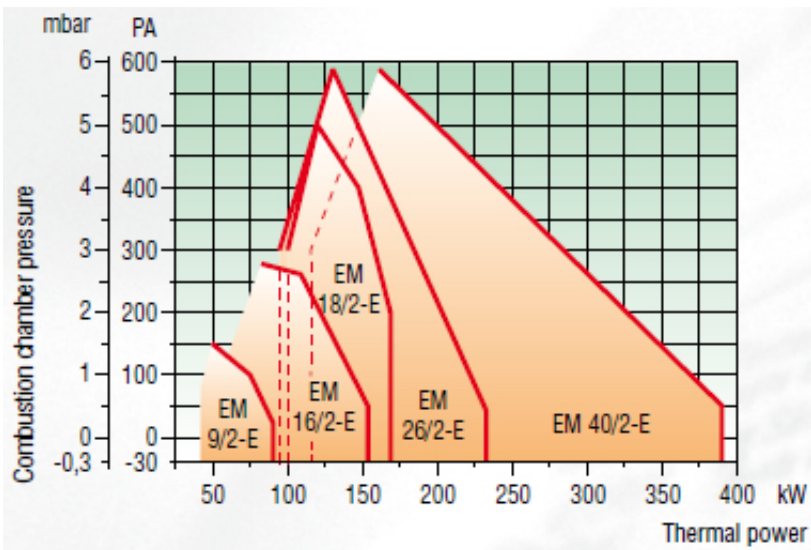
Accessories available upon request

- Accessory set kit.
- Methane to LPG conversion kit (for mod. Em 16/2-E - Em 26/2-E).
- Valve seal control kit.

Certification

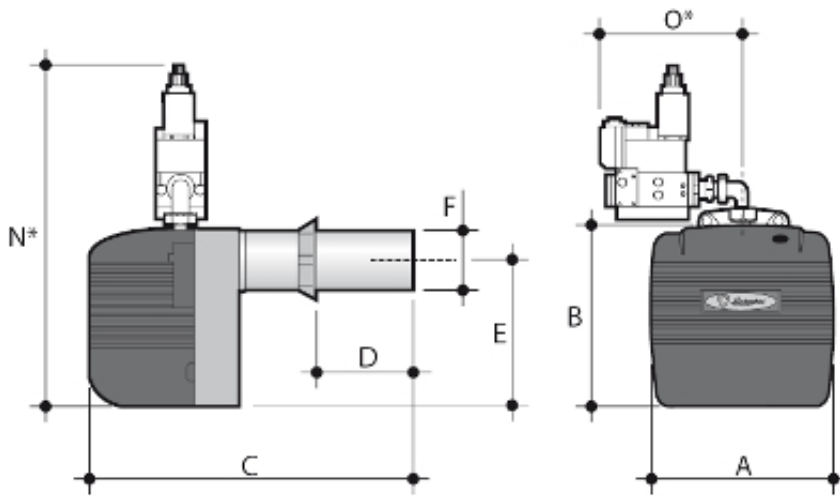
- Em/2-E burners are certified EC.

Characteristics circulator:



Model	Flow (m ³ /h)	Power (kW)	Motor (230V-50Hz)	Network attack (Ø)	Gauge valve (Ø)	Min. Pres. Nat. Gas (mbar)	Min. Pres. G.P.L. (mbar)	Press. max. (mbar)
EM 9/2-E.D3	4,3÷9	43÷89,5	100 W mon.	3/4"	1/2"	18	19	360
EM 16/2-E.D3	5,5÷15,3	55÷153	150 W mon.	3/4"	1/2"	28	27	360
EM 16/2-E.D4	5,5÷15,3	55÷153	150 W mon.	3/4"	3/4"	19	-	360
EM 18/2-E.D6	9,9÷17	99÷169	185 W mon.	1"	1"	12	-	360
EM 18/2-E.D3	9,9÷17	99÷169	185 W mon.	3/4"	1/2"	23	14	360
EM 26/2-E.D6	9÷23,2	90÷231	220 W mon.	1"	1"	18	-	360
EM 26/2-E.D3	9÷23,2	90÷231	220 W mon.	3/4"	1/2"	43	-	360
EM 26/2-E.D4	9÷23,2	90÷231	220 W mon.	3/4"	3/4"	-	31	360
EM 40/2-E.D7	11,5÷39,2	115÷390	370 W mon.	1 1/4"	1 1/4"	23	-	360
EM 40/2-E.D4	11,5÷39,2	115÷390	370 W mon.	3/4"	3/4"	62	32	360

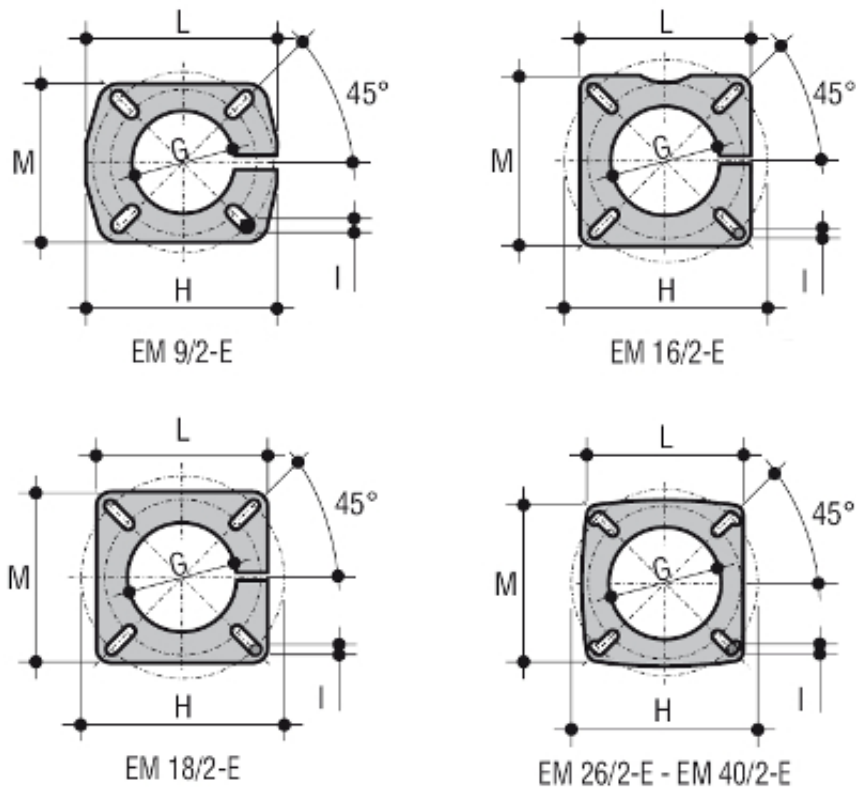
Dimensions (mm):



Model	A (mm)	B (mm)	C (mm)	D (mm)	E (mm)	F (Ø mm)	N* (mm)	O* (mm)
EM 9/2-E	280	247	417	40+140	195	90	515	195
EM 16/2-E	310	282	480	60+150	215	108	535	210
EM 18/2-E	275	340	675	60+275	274	114	640	240
EM 26/2-E	360	350	750	100+265	275	140	650	240
EM 40/2-E	420	423	880	120+310	350	140	835	260

*: The dimensions are relative to the burner ramp from 20 mbar installed.

Mounting flange and Weight:



Model	G (Ø mm)	H (Ø mm)	I (Ø mm)	L (Ø mm)	M (Ø mm)	Weight (kg)
EM 9/2-E	95	140÷180	M8	180	154	14
EM 16/2-E	115	150÷200	M8	166	166	18
EM 18/2-E	120	155÷210	M8	180	180	25
EM 26/2-E	155	172÷225	M10	205	205	31
EM 40/2-E	155	172÷225	M10	205	205	44

Products

- [EM 16/2-E.D3 \(cod. 00860421\)](#)
- [EM 16/2-E.D4 \(cod. 00860431\)](#)
- [EM 18/2-E.D6 \(cod. 00860452\)](#)
- [EM 18/2-E.D3 \(cod. 00860462\)](#)
- [EM 26/2-E.D6 \(cod. 00860531\)](#)
- [EM 26/2-E.D3 \(cod. 00860541\)](#)
- [EM 26/2-E.D4 \(cod. 00860551\)](#)
- [EM 40/2-E.D7 \(cod. 00870252\)](#)
- [EM 40/2-E.D4 \(cod. 00870262\)](#)